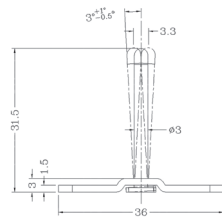
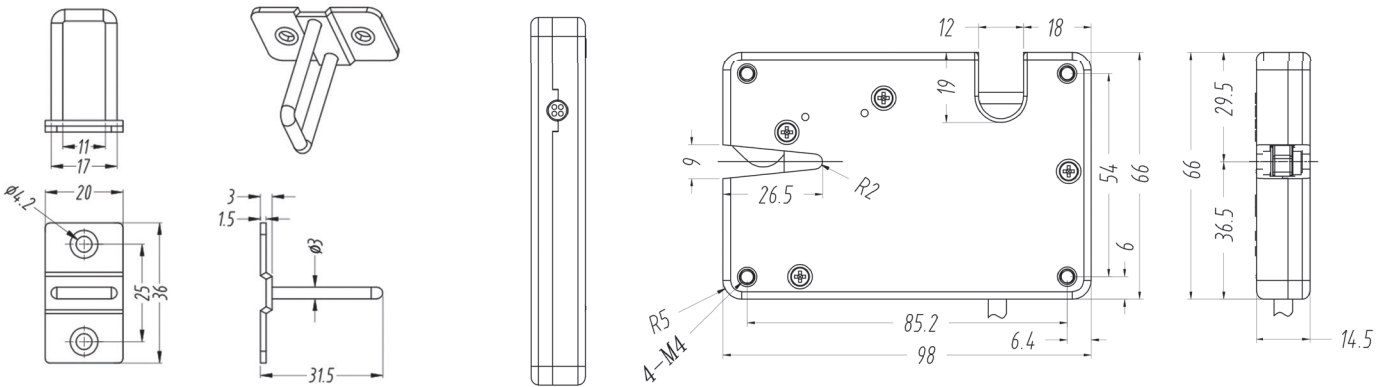


# KR-S98S

- Motor/servo driven, wide working voltage range: 8~24V. Low power consumption.
- Waterproof rating - IP65.
- It is recommended that the user's power supply unlocking time is greater than 500ms (uninterrupted).
- Omron micro detective switch from Japan, high quality and durability.
- Mechanical emergency lever, can be unlocked manually in case of power failure.
- AWG24 wires with PVC protecting tube.
- Support customizing wires and connectors.



Movable Lock Hook

|                         |               |
|-------------------------|---------------|
| Material of lock body   | ABS           |
| Material of lock tongue | Zinc Alloy    |
| Surface treatment       | passivation   |
| Door weight             | 10KG~50KG     |
| Working voltage         | DC8V~DC24V    |
| Working current         | 150mA@12V     |
| Maximum power           | 2.4W          |
| Working temperature     | -20°C ~ +65°C |
| Working humidity        | 10% ~ 90%RH   |

