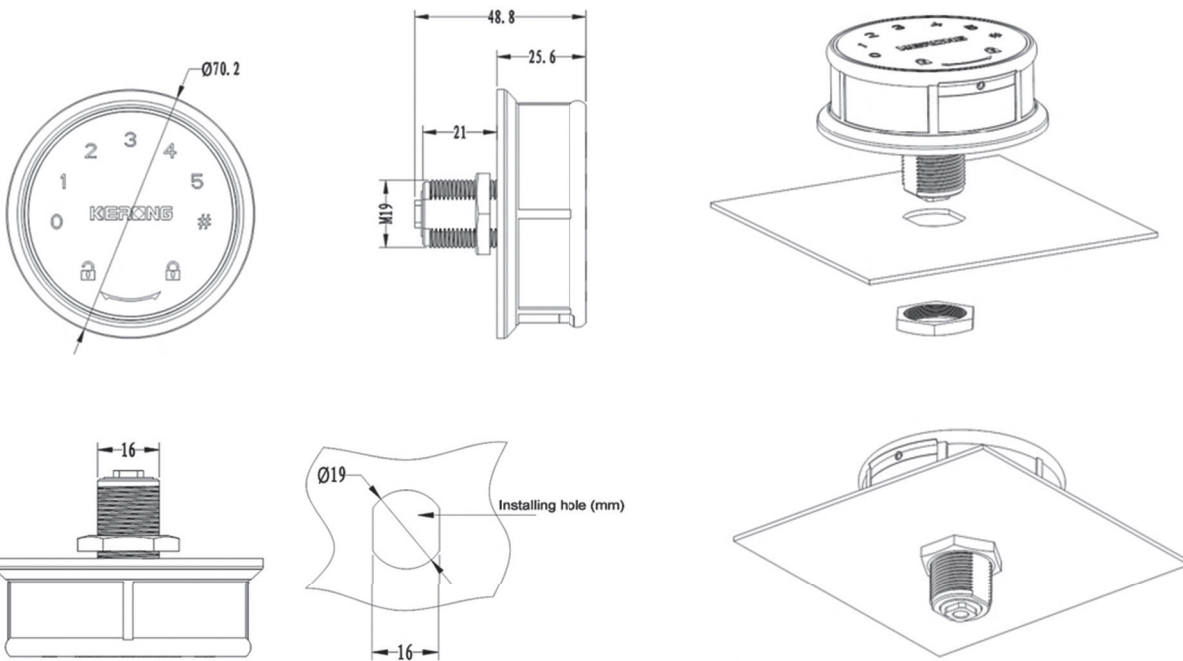


KR-S64A



- Suit for different locker material: wooden, metal, MDF, etc.
- Different working modes suit for various applications.
- Messy code protection, manager code and OTP for emergency unlock.
- Powered by 1*3V CR2032 button battery.
- High sensitive touch screen.
- 4~8 digits password unlocking.
- Suit for different door thickness: 1~30mm.



Material	Lock body: ABS+Zinc Alloy, Acrylic touch screen
Battery	DC 3V (1* button battery CR2032)
Static power consumption	<25 uA
Dynamic power consumption	<200 mA
Low voltage	2.5V±0.1V
Anti-air discharge	15KV
Touch discharge	8KV
Working temperature	-20°C ~+65°C
Working humidity	10%~90%RH



Digital cabinet lock