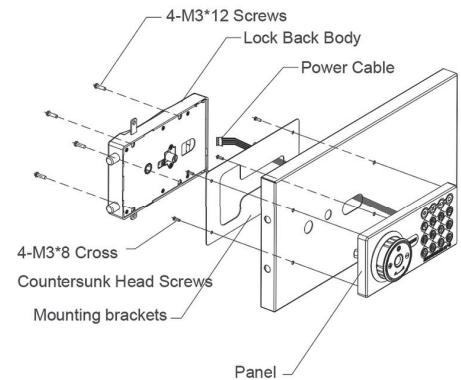
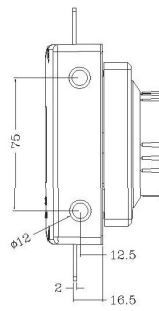
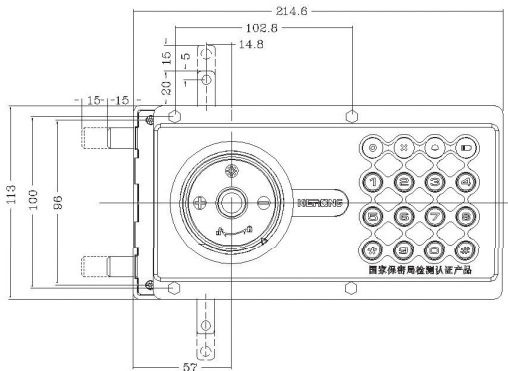
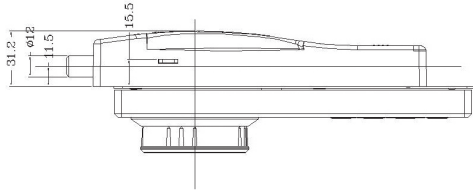


KR-211



- Suitable for furniture, office cabinet, file cabinet, etc.
- Suitable for different locker material, MDF, metal, wooden, etc.
- Can be unlocked by 4-10 digits password.
- With messy code protection, and OTP for emergency unlocking.
- With low voltage alarm, and other solutions for emergency power supply.
- With rubber button to input password.



Digital cabinet lock

Material	Button: ABS, Front panel: Zinc Alloy, Lock shell: ABS
Battery	DC6V(AA1.5×4)5# alkaline battery
Load current	ABS, can withstand 300N pressure and impact
Voltage range	<230mA
Low voltage	4.1V~7.5V
Working temperature	4.7V±0.1V
Working humidity	-20°C ~+65°C
Air static	10%~90%RH
Touch static	15KV
Touch static	8KV

