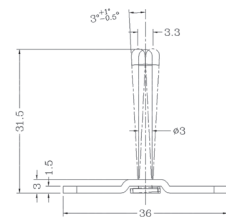
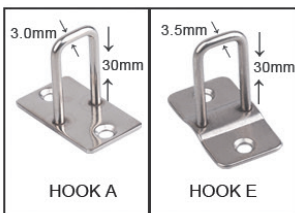
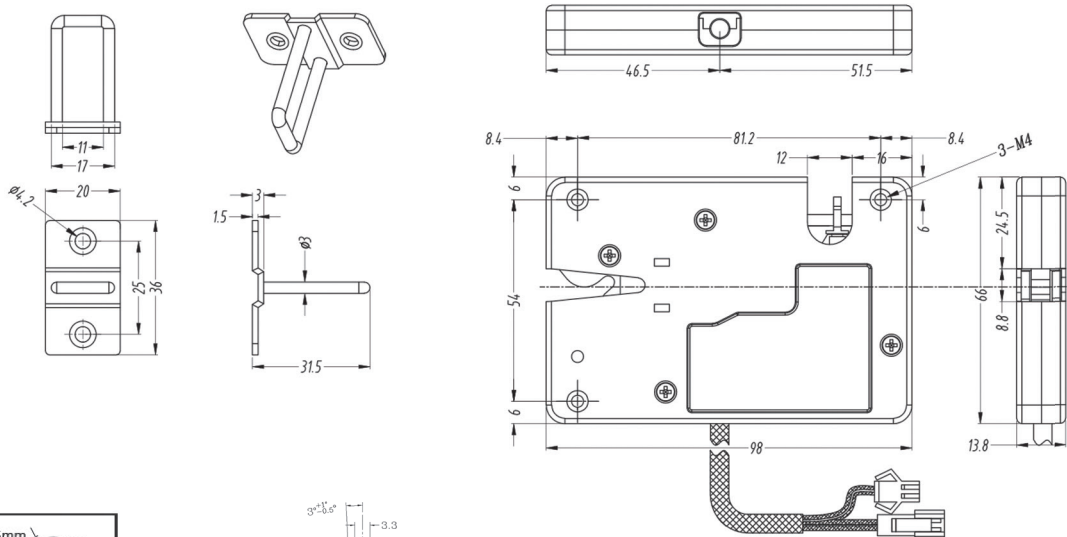
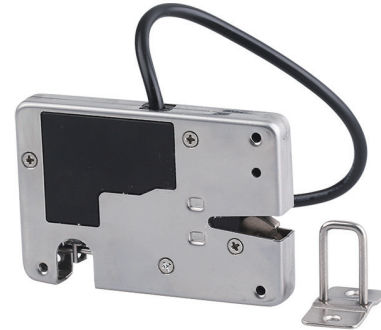


KR-S98C

- AWG24 wires with PVC protecting tube.
- Solenoid driven, support 12V&24V.
- 430 stainless steel, Zinc Alloy lock tongue, can pass more than 72 hours salt spray test.
- Mechanical emergency lever, can be unlocked manually in case of power failure.
- Omron detective switch from Japan, with working life as 500,000 times.
- Can be waterproof, all electronic parts are protected in the ABS box, IP rating is IP65.
- Support customizing wires and connectors.



Movable Lock Hook

Material of lock body	430 Stainless steel
Material of lock tongue	Zinc Alloy
Surface treatment	Passivation
Door weight	0.5KG~4KG
Working voltage	10V~15V
Working current	1.75A @ 12V
Maximum power	21W
Working temperature	-40°C ~+75°C
Working humidity	5%~95%RH

