

KR-E110PC



- Various working modes available (public mode, private mode etc), suit for different applications.
- Emergency power supply solutions: low voltage alarm when lower than 4.5V, external battery box & adapter for power supply, etc.
- Various colors of lock panels can be chosen: black, white and silver.
- Micro USB connector/3.5mm socket for emergency power supply.
- High frequency card: MF1, 13.56MHZ. Also support other kinds Mifare cards.
- Different shapes of card available: wrist band, tag fob, rectangle card and so on.
- Support customizing functions: unlocking automatically at a certain time, querying locker number, querying unlocking record, etc.
- Two ways for power supply: 4*1.5V AAA battery & 6V DC, if customers need, it also can be used in 12V DC.
- Hooks suit for various applications with two installation way: vertical or horizontal.
- Customers can use the mobile APP to control the lock.

Digital cabinet lock



KR-S61E110PC



KR-S80E110PC



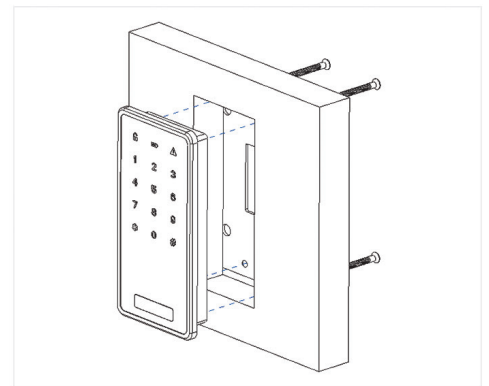
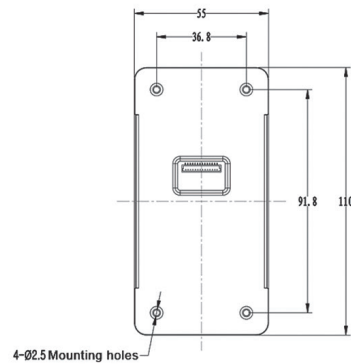
KR-S123E110PC



KR-S90E110PC

Can be matched with four kinds lock body.

Page number → P9-P16



Material	ABS for lock body shell, Acrylic & PC for panel
Power consumption	Static power consumption <70uA Dynamic power consumption<300mA
Working voltage	DC6V(AAA 1.5Vx4pcs) Batteries can standby for around 1 year
Working environment	Working temperature -20°C ~ +65°C Working humidity 10% ~ 90%RH
Anti-static	Air static 15KV Touch static 8KV

