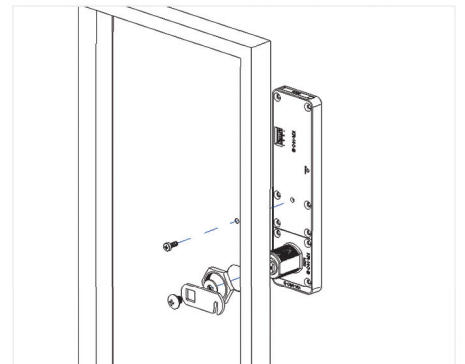


KR-140B



- Powered by 1*3V CR2032 button battery.
- With low voltage alarm when lower than 2.45V, and can change the battery very easily.
- Touch screen and rubber button both are available.
- Three kinds lock back body, four kinds rotary direction can suit for different requirements of installation.
- Messy code protection, manager code and OTP for emergency unlock.



Silvery

Stainless Steel Color



Rubber Button

Material	Zinc alloy & pearl chrome plated
Battery	1 * 3V CR2032(cell battery)
Static current	< 30uA
Dynamic current	< 100mA
Working temperature	-15°C~ +65°C
Working humidity	5 ~ 95%
Low voltage alarm	< 2.45V
Touch static	> 6KV
Anti-air static	> 8KV

