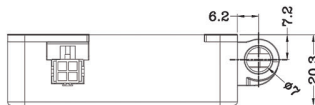
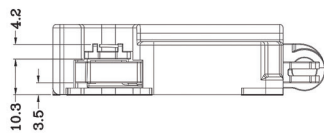
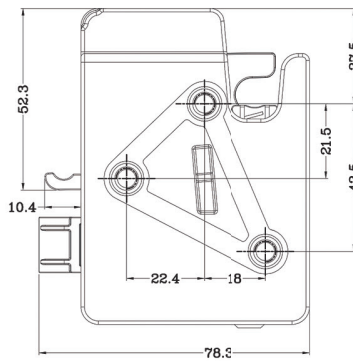
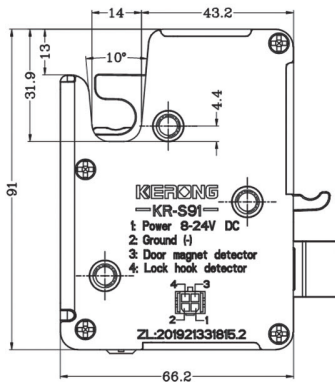
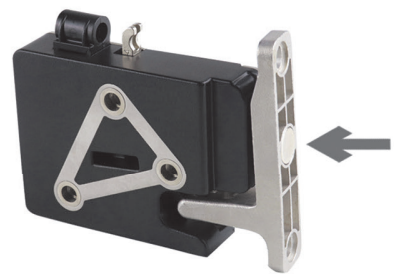


KR-S91

- Motor driven, low power consumption, and more stable.
- 304 stainless steel lock shell.
- Zinc Alloy lock tongue, can pass more than 72 hours salt spray test.
- Mechanical emergency lever, can be unlocked manually in case of power failure.
- Omron detective switch from Japan, working life as 500,000 times.
- With door magnet detective function, to check whether the cabinet door is closed well.
- Support customizing wires and connectors.



Hook



Door Magnetic Detection

Material of lock body	304 Stainless steel
Material of lock tongue	Zinc Alloy
Current	60mA@12V
Power consumption	0.72W
Revolution speed	4.5Rev/s
Response time	1S
Voltage	8V-24V(typical: 12V)
Working temperature	-40°C ~+75°C
Working humidity	5%-95%RH

