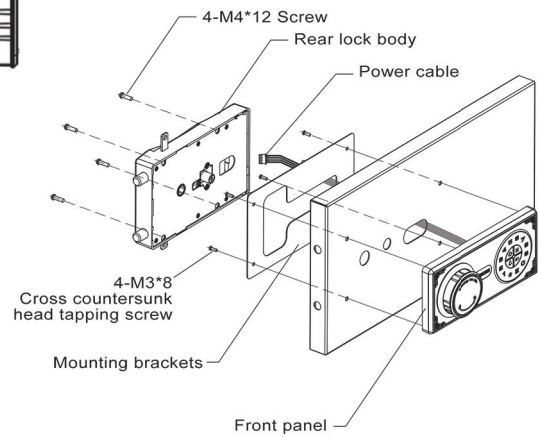
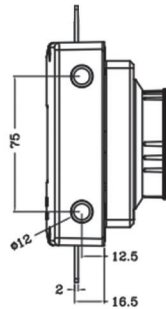
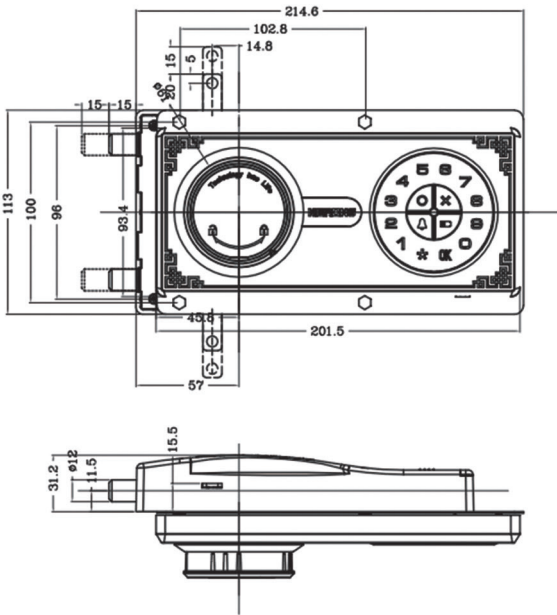


# KR-212



- Suitable for furniture, office cabinet, file cabinet, etc.
- Suitable for different locker material, MDF, metal, wooden, etc.
- Can be unlocked by 4~10 digits password.
- With messy code protection, and OTP for emergency unlocking.
- With low voltage alarm, and other solutions for emergency power supply.
- With rubber button to input password.



| Material                  | ABS                           |
|---------------------------|-------------------------------|
| Standby power consumption | <40uA                         |
| Working current           | <250ma                        |
| Working voltage           | 4.1V-7.5V (typical value: 6V) |
| Working temperature       | -20°C ~+65°C                  |
| Working humidity          | 10%-90%RH                     |
| Air static                | 15KV                          |
| Touch static              | 8KV                           |
| Low voltage alarm         | 4.7V±0.1V                     |



Digital cabinet lock