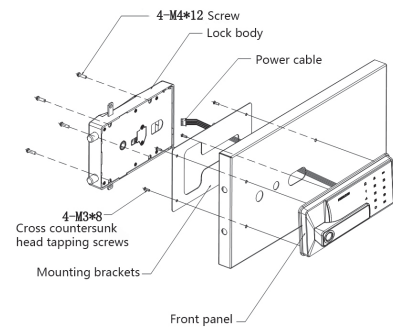
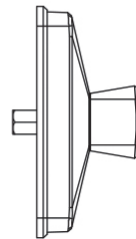
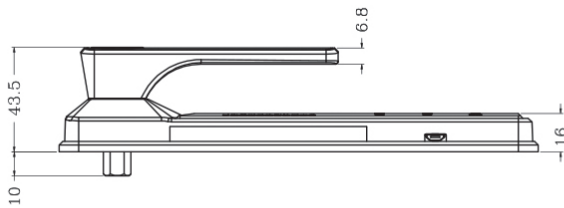
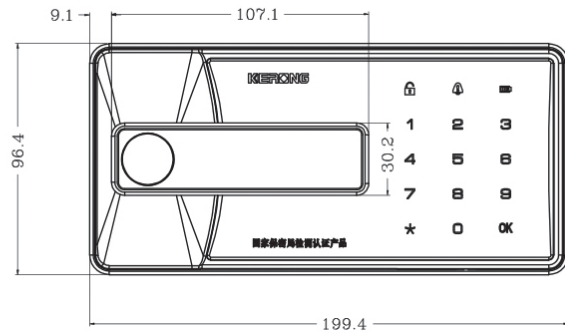
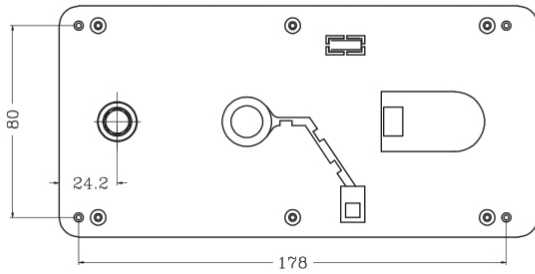


KR-213



- Low voltage alarm: if voltage is lower than 4.8V, lock will prompt with blue light and continuous beeps 8 sounds after opening, during this time period, it can still be unlocked more than 100 times.
- 4~10 digit passwords with random setting for unlocking.
- Random order password function and OTP unlocking way keep high safety.
- Support single/double code unlocking.
- Two ways for power supply: 4*1.5V AA battery & 6V DC by Micro USB connector for emergency.



Digital cabinet lock

Material	Aluminum alloy die-casting + ABC with environmentally friendly baking varnish
Power consumption	Load current<180mA
	Standby current<15uA
Working voltage	DC6V(AA1.5×4)5# alkaline battery Low voltage: 4.8V
Working environment	Working temperature: -15°C ~ +65°C
	Working humidity: 5% ~ 95%RH
Anti-static	Air static: 15KV
	Touch static: 8KV

