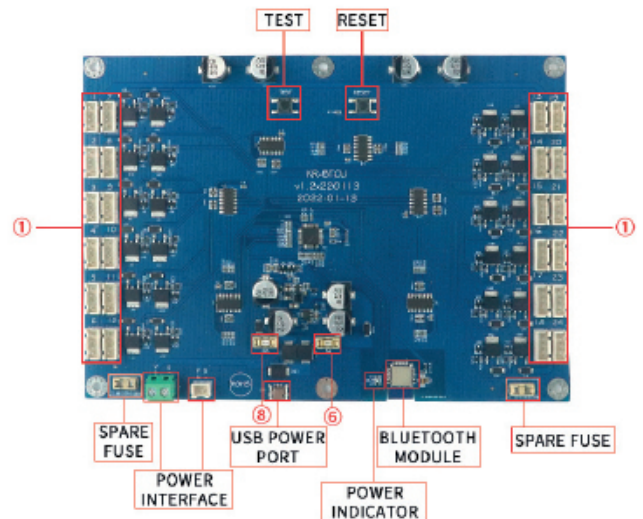
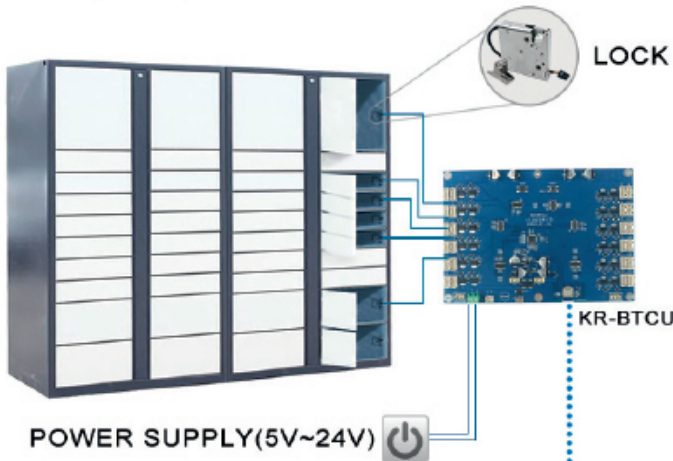
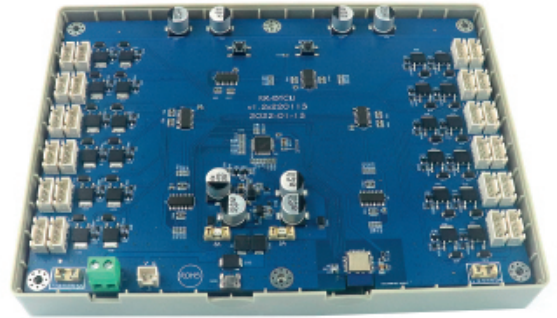


KR-BTCU

- The mobile phone Bluetooth connection controls the electric lock.
- Open development, completely free to design software.
- High-quality modules, stable work.
- Working temperature: -25°C ~65°C .
- With protective box, dustproof.
- It can control 24 locks at the same time.



- ① :1~24 lock drive, each port can drive a maximum of 50W electromagnet lock
- ⑥ : lock drive fuse
- ⑧ : control board fuse

Function	Control locks and feedback lock status
Micro processor module	R7F0C908B
Connector model	RJ45,8P8C
Working voltage	5V~24V
Stand-by power consumption	12V@25uA
Dynamic power consumption	12V@9mA