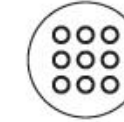


# KR-S64A



● Black ○ White ● Silver



Touch screen keypad



Low voltage alarm



Emergency power



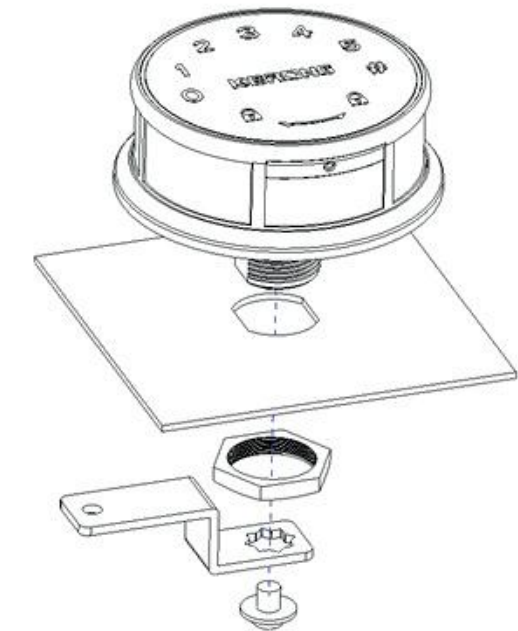
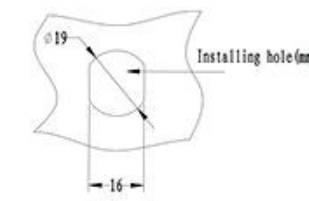
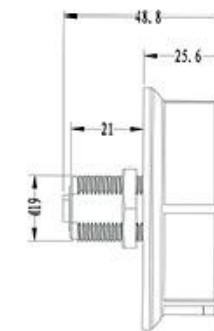
Remote upgrade



Public mode



Private mode



Material	ABS+PC+Zinc Alloy
Standby power consumption	< 25uA
Response time	0.1S
Protection class	IP63
Working voltage	1*CR2032
Thickness of door	1-15mm
Low voltage alarm	2.5V±0.1V
Working environment	-20°C ~+65°C