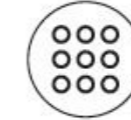


KR-C Panel



● Black ○ White ● Silver



Touch screen keypad



Low voltage alarm



Emergency power



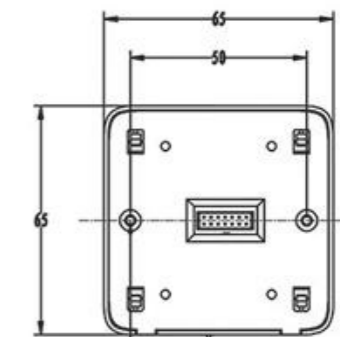
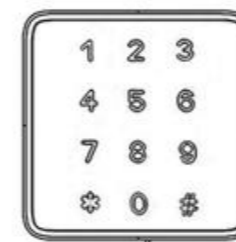
Remote upgrade



Public mode



Private mode



2-M3 Installing screw hole

Material	ABS for lock body shell, Acrylic & PC for panel
Power consumption	Static power consumption <70uA Dynamic power consumption <300mA
Working voltage	DC6V(AAA 1.5Vx4pcs) Batteries can standby for around 1 year
Working environment	Working temperature -20°C ~ +65°C Working humidity 10% ~ 90%RH
Anti-static	Air static 15KV Touch static 8KV