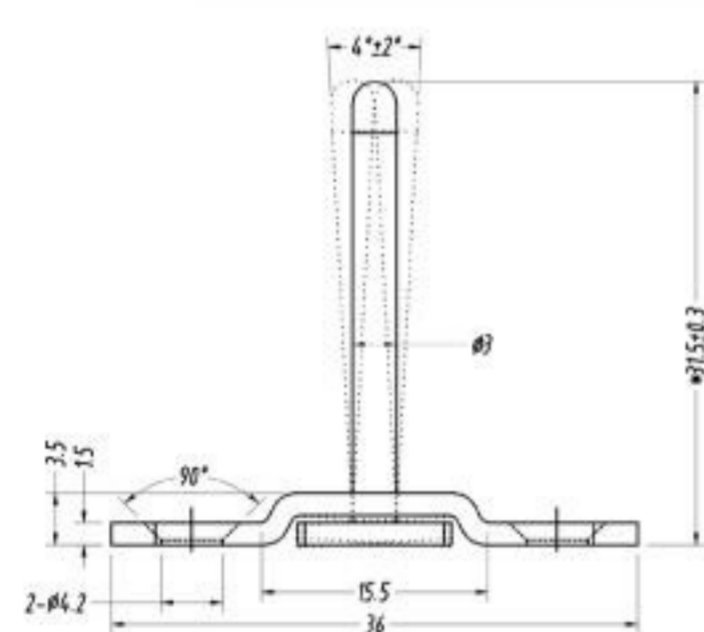
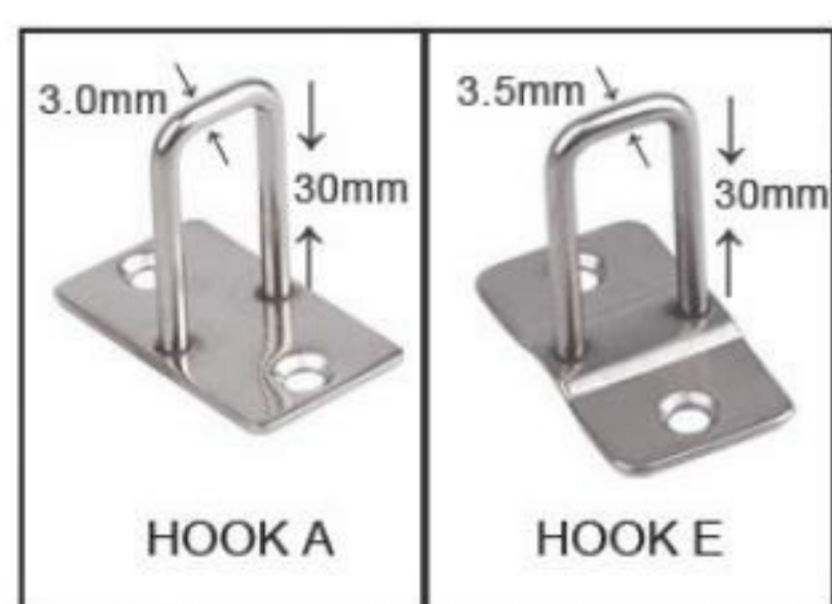
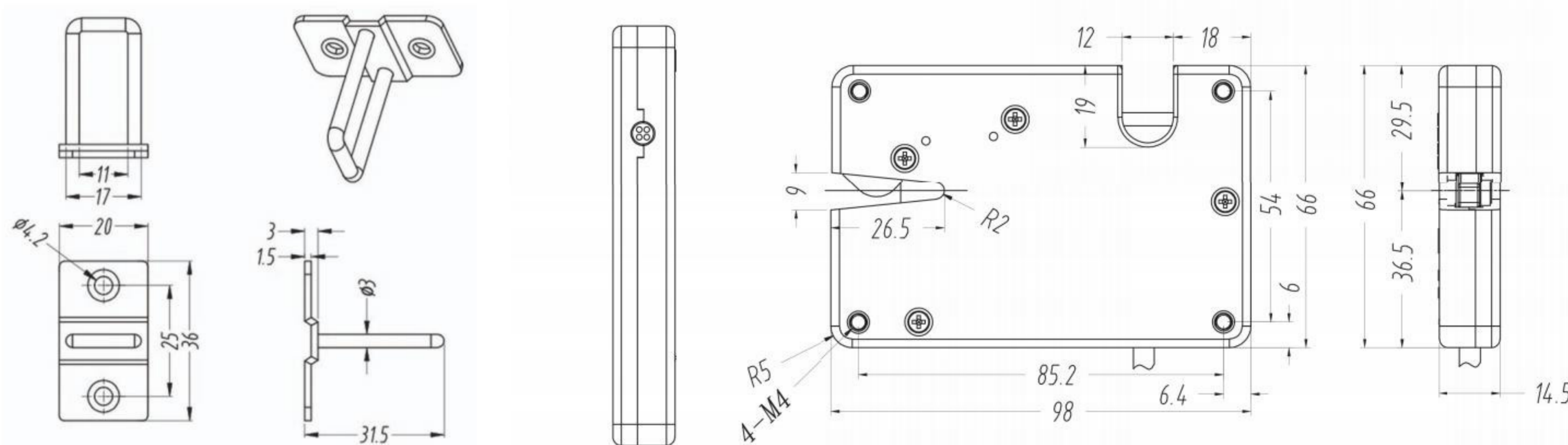




KR-S98S

- Motor/servo driven, wide working voltage range: 8~24V. Low power consumption.
- Waterproof rating - IP66.
- It is recommended that the user's power supply unlocking time is greater than 500ms (uninterrupted).
- Omron micro detective switch from Japan, high quality and durability.
- Mechanical emergency lever, can be unlocked manually in case of power failure.
- AWG24 wires with PVC protecting tube.
- Support customizing wires and connectors.



Movable Lock Hook

Material of lock body	ABS+PC
Material of lock tongue	Zinc alloy
Voltage	8V-24V
Current	220mA@12V
Power consumption	2.2W
Maximum tensile strength	200 KG
Waterproof level	IP66

