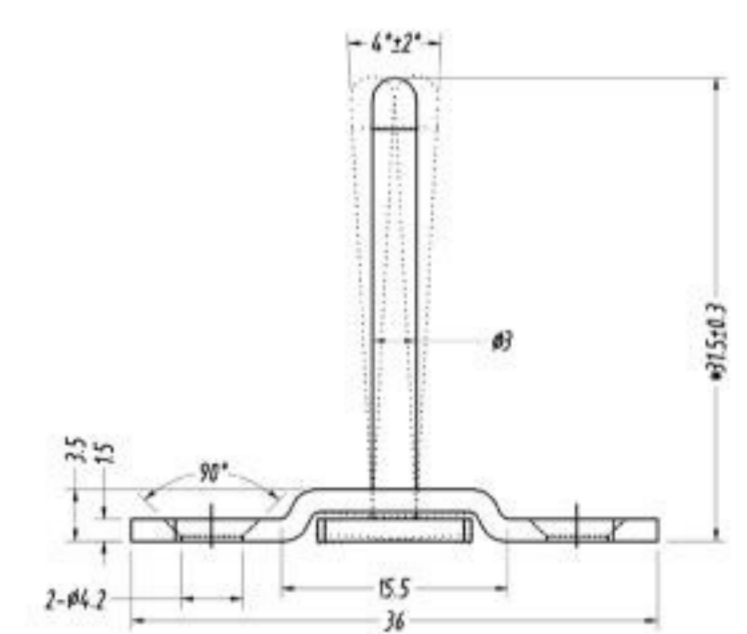
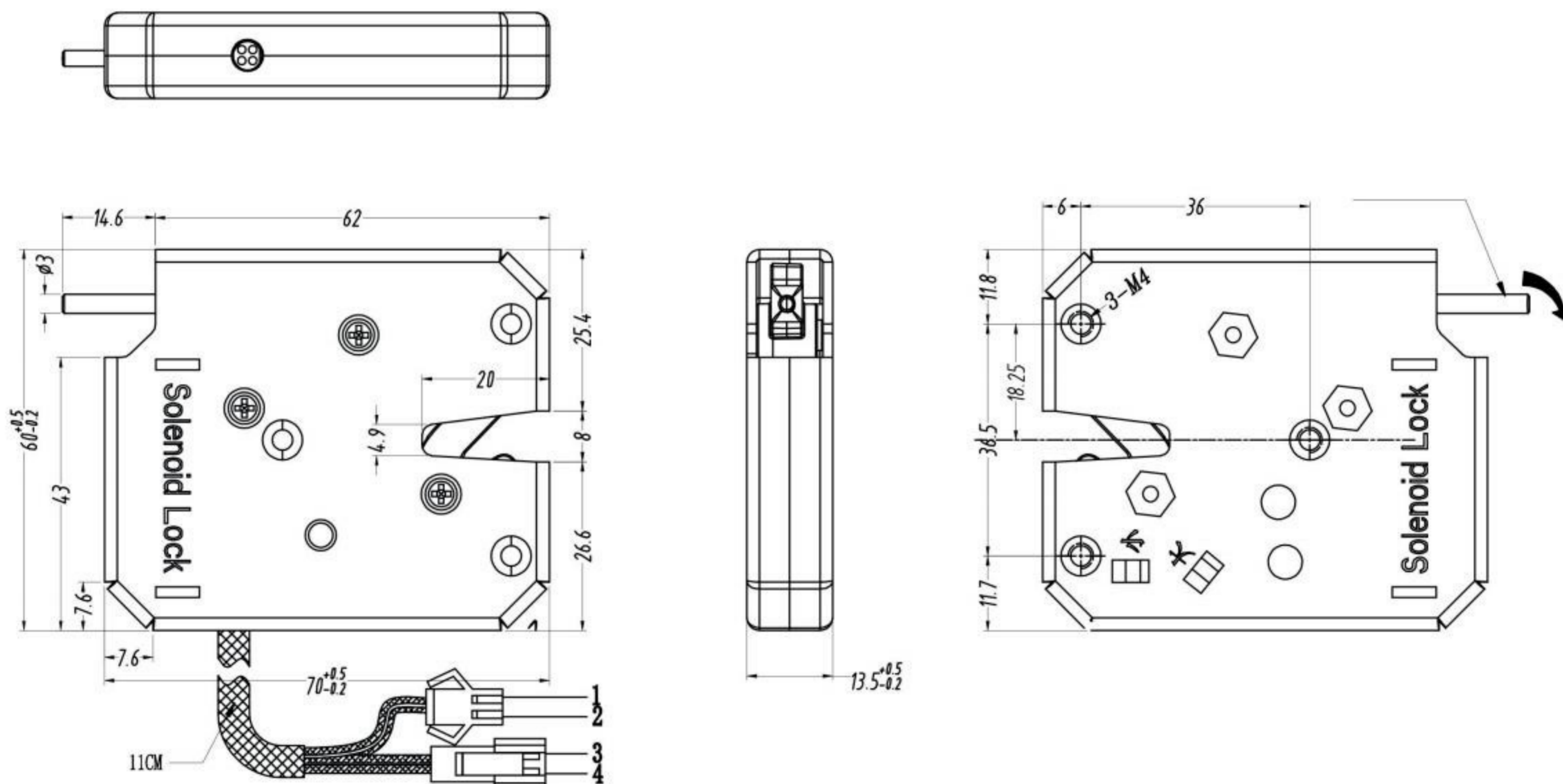




# KR-S6070

- Solenoid driven, support 12V & 24V.
- AWG24 wires with PVC protecting tube .
- Support customizing wires and connectors.
- Detective switch from China, detect the opening and closing of the lock.
- The compact structure design allows more space for the storage cabinet.
- Different lock hooks suit for different locker design,customizing service is available.
- Security:Lock shells , made from Carbon steel plated with blue zinc, won't obvious permanent deform permanently.



Movable Lock Hook

Material of lock body	Q235 cold rolled sheet
Material of lock tonque	Zinc alloy
Maximum tensile strength	240kg
Door weight	0.5KG~10KG
Working voltage	12V & 24V
Working current	2.4A / 1.2A
Maximum power	28.8W
Working temperature	-20°C ~+60°C
Working humidity	5%~85%RH

