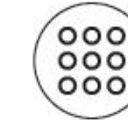


KR-E88



● Black ● Silver



Touch screen keypad



Low voltage alarm



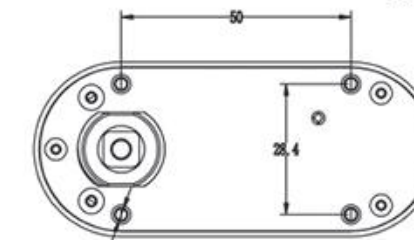
Emergency power



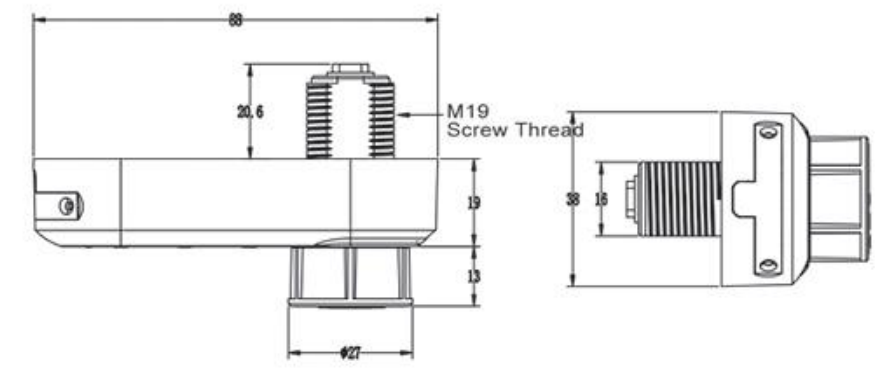
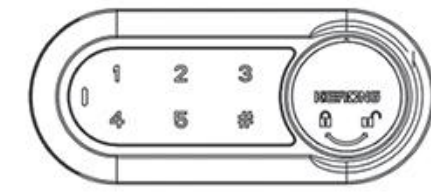
Public mode



Private mode



4-M3 Mounting Holes



Electronic Cam Lock



Material	ABS+PC+Zinc Alloy
Standby power consumption	< 20uA
Response time	0.1S
Protection class	IP62
Working voltage	2*CR2032
Thickness of door	1-14mm
Low voltage alarm	2.5V±0.1V
Working environment	-20°C ~+65°C