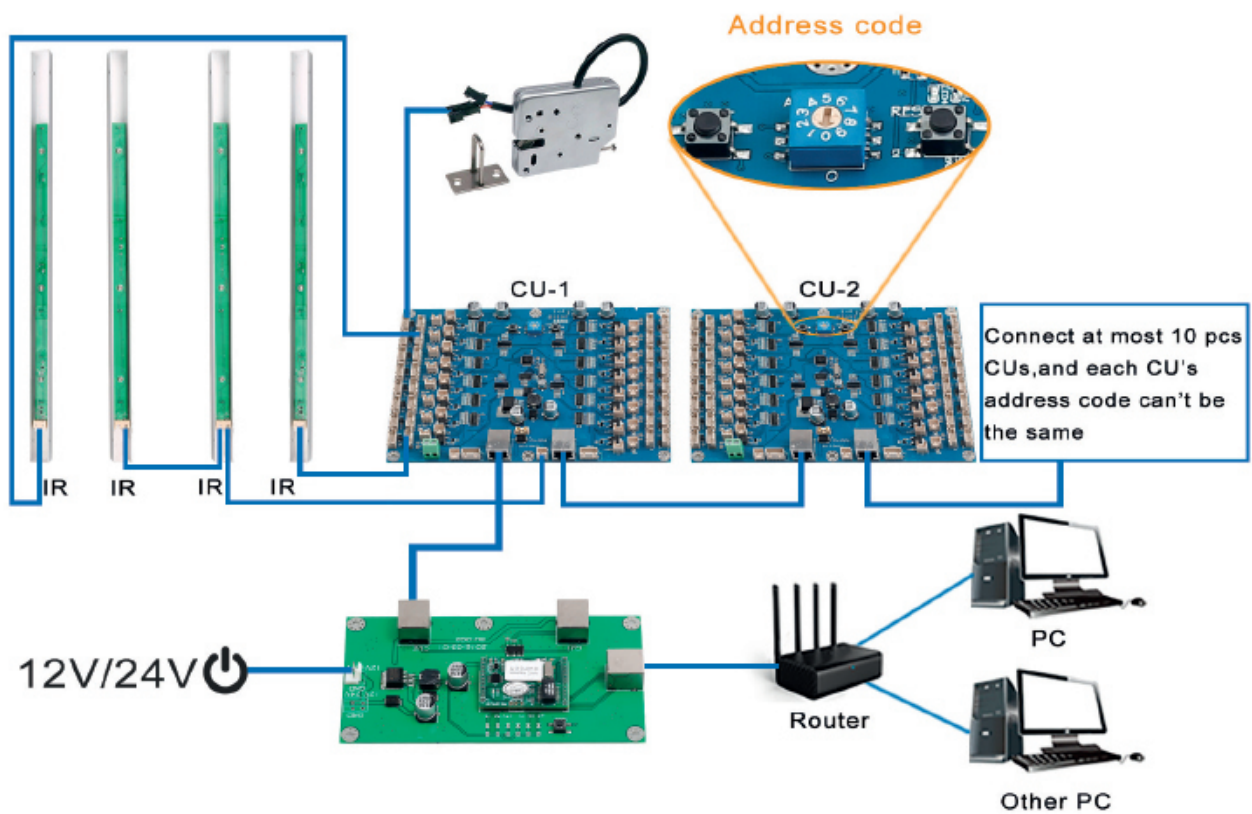
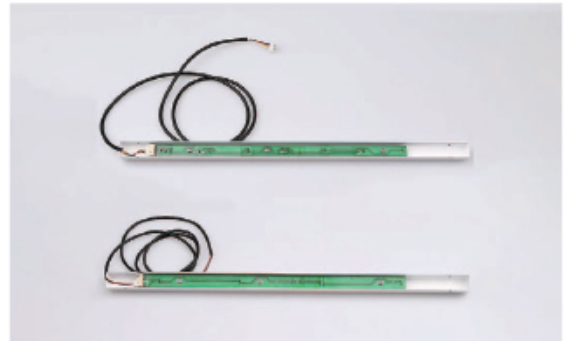


KR-IR

- Co-work with CU.
- Detecting locker is empty or occupied.
- Supplying light when lock is unlocked, locker is opened.
- Support customizing dimension and color for various. locker designs.
- Easy installation With locker design drawings. for better reference.



Material	PCB(Printed Circuit Board)+cold rolled plate
Maximum detecting distance	500mm
Function	Detect locker is empty or occupied; supply light when locker is opened
Detector quantity	4 detectors
Connector model	XH2.544P; XH2.542P
Working voltage	12V-24V