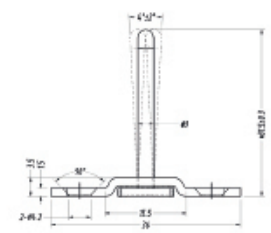
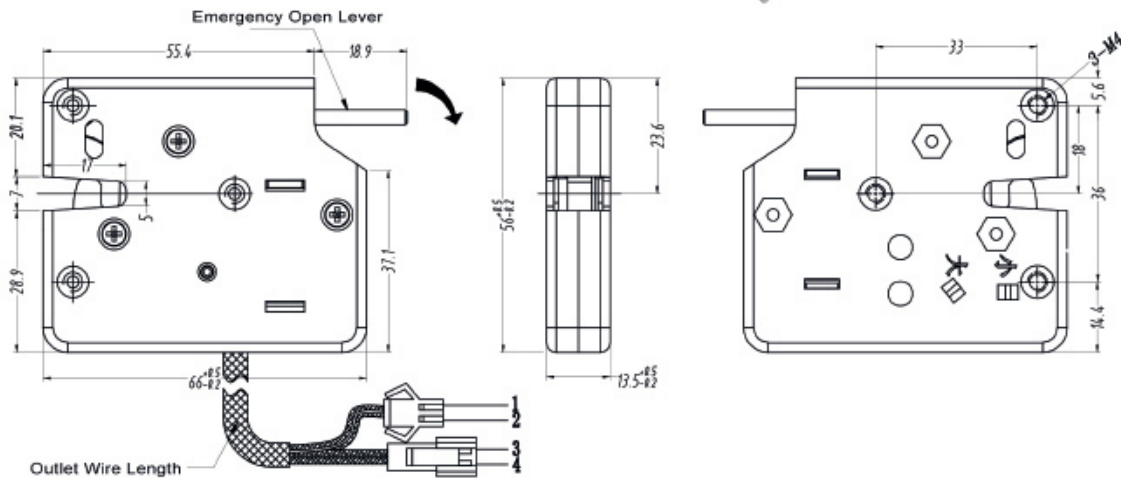


KR-S66

- AWG24 wires with PVC protecting tube.
- Solenoid driven, support 12V&24V.
- Anti-force performance as 270kg.
- Omron detective switch from Japan, working life as 500,000 times.
- Mechanical emergency lever, can be unlocked manually in case of power failure.
- Support customizing wires and connectors.
- 430 stainless steel lock shell, Zinc Alloy lock tongue, can pass more than 48 hours salt spray test.



Movable Lock Hook

Material of lock body	430 Stainless steel
Material of lock tongue	Zinc alloy
Maximum tensile strength	270kg
Door weight	0.5KG-10KG
Working voltage	12V & 24V
Working current	2.4A / 1.2A
Maximum power	28.8W
Working temperature	-20°C → +60°C
Working humidity	5%-85%RH

