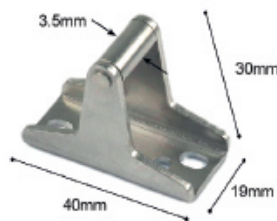
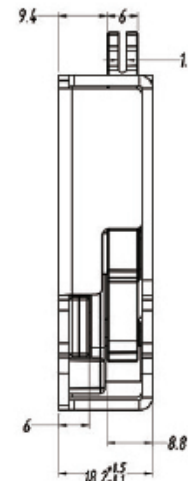
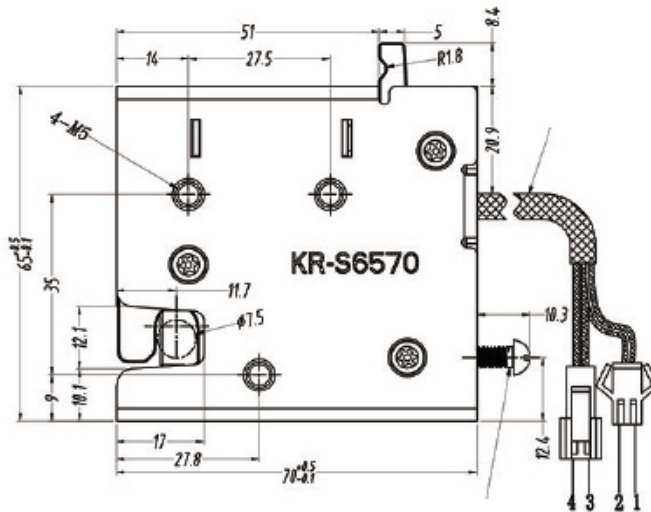
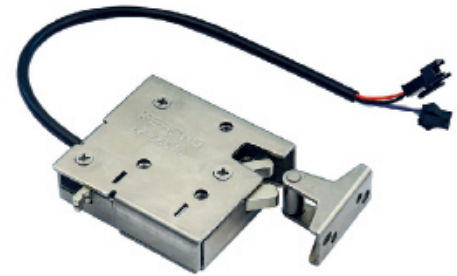


KR-S6570

- Solenoid drive, support 12V&24V.
- AWG24 wire with PVC protective tube.
- Support custom wires and connectors.
- Japan's Omron switch has a long service life and detects the opening and closing of the lock.
- Equipped with an emergency unlocking lever, which can be manually unlocked in an emergency.
- Different lock hooks are suitable for different locker designs, and customized services can be provided.
- The lock shell is made of 304 stainless steel, and there will be no obvious permanent deformation.



HOOK S6570

Material of lock body	304 Stainless steel
Material of lock tonque	Zinc alloy
Maximum tensile strength	300kg
Door weight	0.5KG~10KG
Working voltage	12V & 24V
Working current	2.4A / 1.2A
Maximum power	28.8W
Working temperature	-20°C ~+60°C
Working humidity	5%~85%RH

