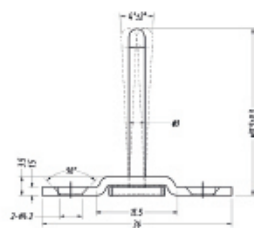
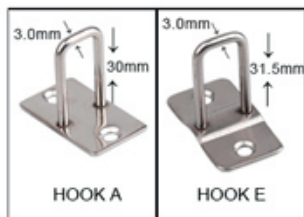
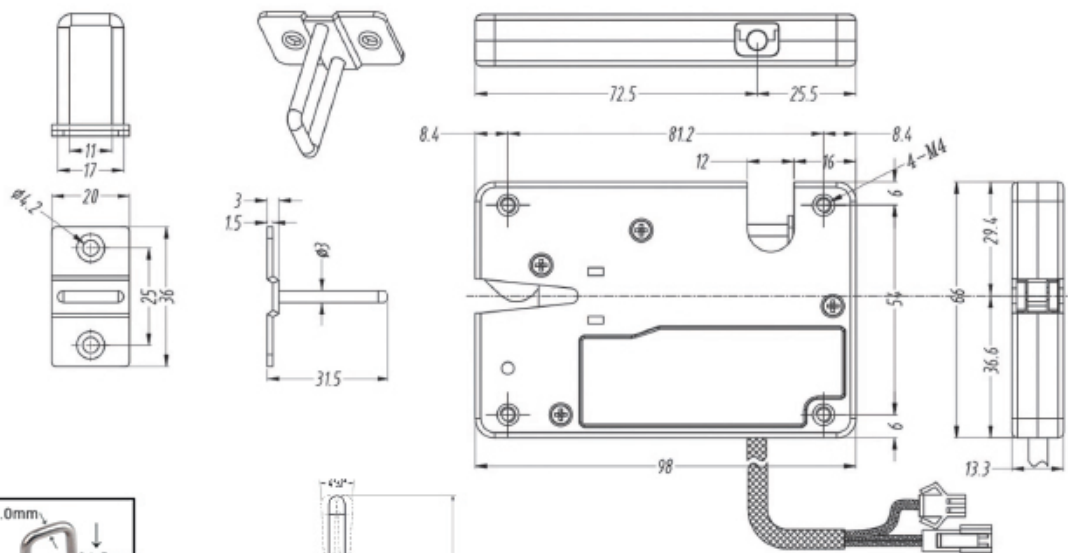
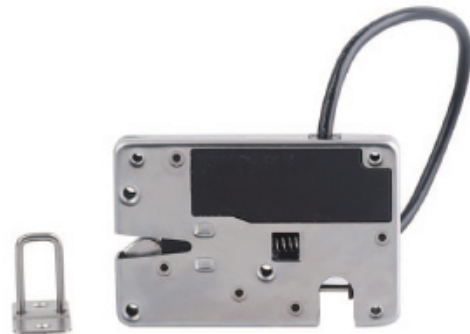


KR-S98A

- AWG24 wires with PVC protecting tube.
- Motor driven, low power consumption, more stable.
- 430 stainless steel, Zinc Alloy lock tongue, can pass more than 48 hours salt spray test.
- Mechanical emergency lever, can be unlocked manually in case of power failure.
- Omron detective switch from Japan, with working life as 500,000 times.
- Can be waterproof, all electronic parts are protected in the ABS box, IP rating is IP66.
- Support customizing wires and connectors.



Movable Lock Hook

Material of lock body	304 Stainless steel+PA+GF
Material of lock tongue	Zinc alloy
Voltage	8V-24V
Current	100mA@12V
Power consumption	12W
Maximum tensile strength	300KG
Waterproof level	IP66
Temperature	-20°C ~+65°C

