

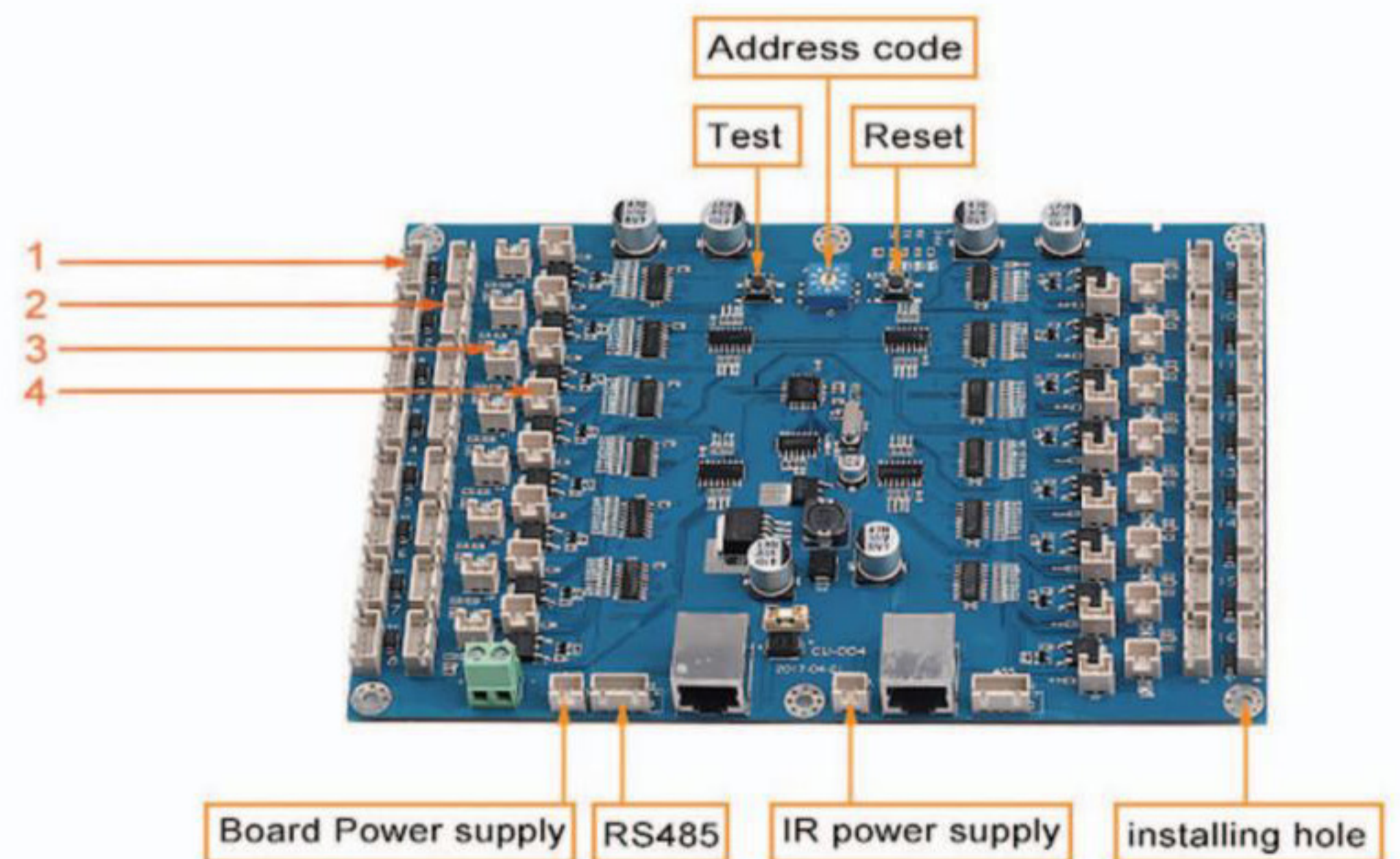
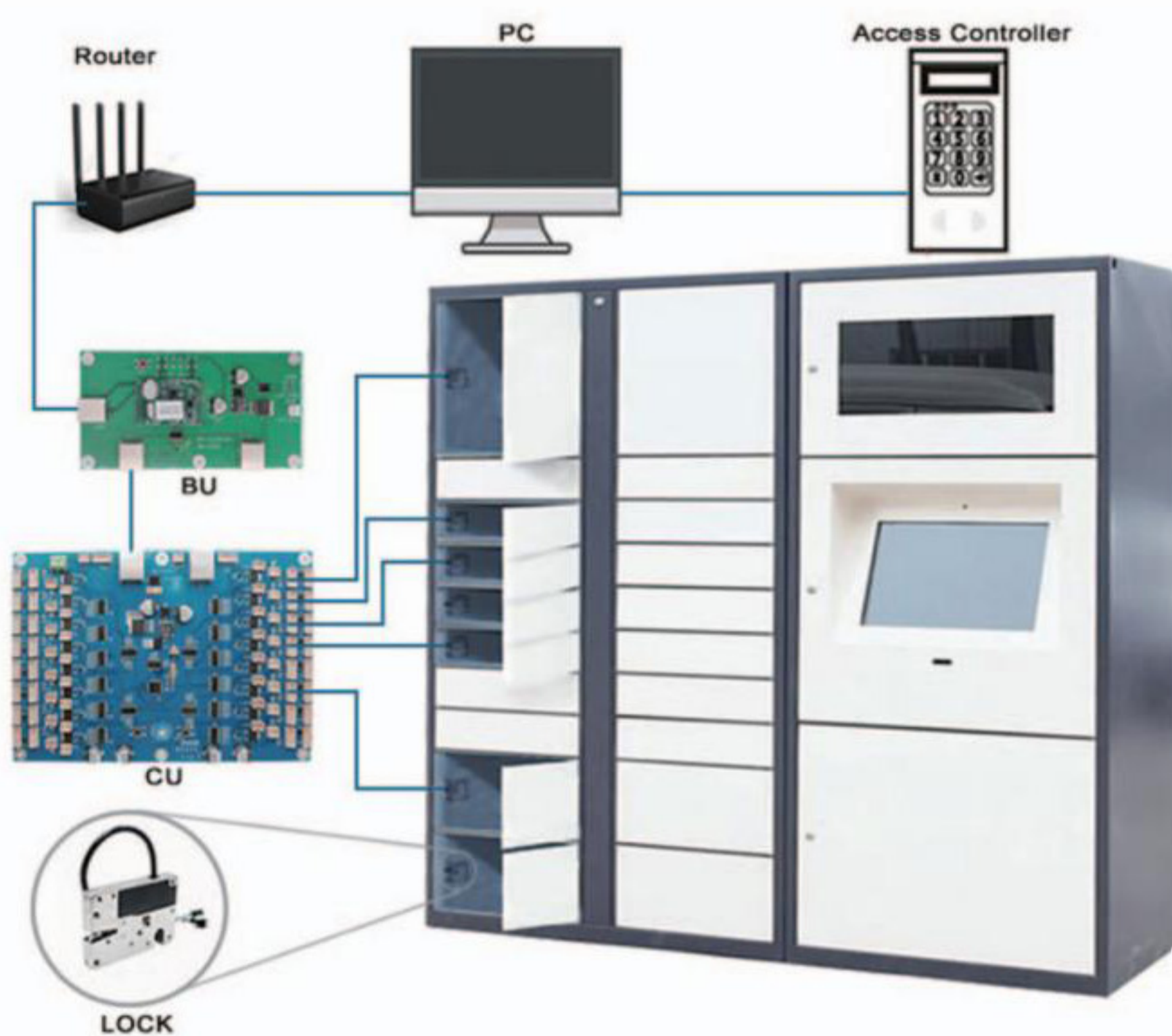


KR-CU

- Lock control board, execute the command from PC and get feedback the status to PC
- Open developed, you can design software completely as you want.
- Support communication method: RS485.
- Can work with computers, Pad, Raspberry Pi.
- Suitable for IOS, Windows and Linux.
- Working temperature: -25°C ~65°C .
- With protective box, dustproof.
- High quality modules for stable operation.



- 1、 connecting locks, supply power to locks and detect lock's condition (open/close);
- 2、 connecting IR and LED light; IR to check is the locker empty or not; LED light to lighting the locker when lock is open;
- 3、 connecting IR feedback light(bi-color); light can be extended to every single locker. Locker is empty, light turns green; locker is occupied, light turns red.
- 4、 connecting lock feedback light; light can be extended to every single locker, to show whether the lock is closed or not. Lock open, light turns on; lock close, light turns off.



Function	Control locks and feedback lock status
Micro processor module	STM8L103C6T6/R7F0C908B
Connector model	RJ45, 8P8C
Working voltage	12V~24V
Stand-by power consumption	70mA(12V),40mA(24V)
Dynamic power consumption	Max 3000MA
Reaction time	Less than 1s
Working humidity	10%~90%RH
Communication way	RS485