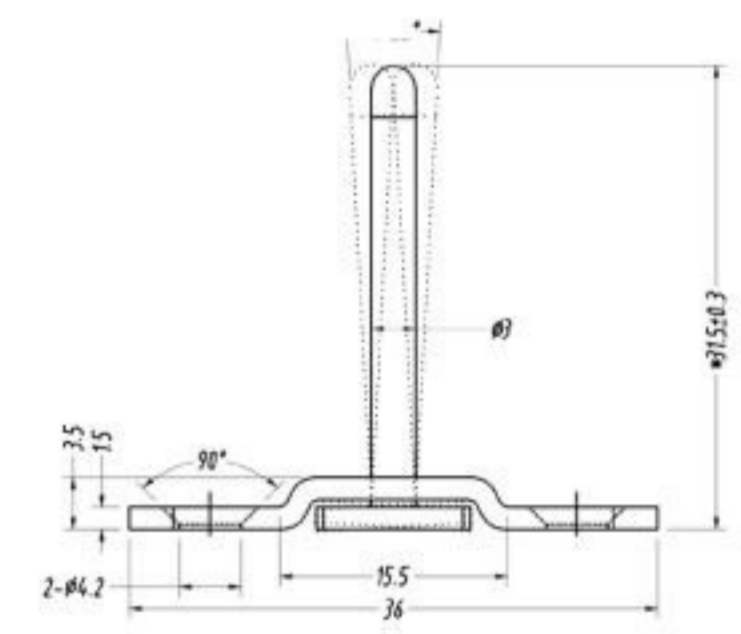
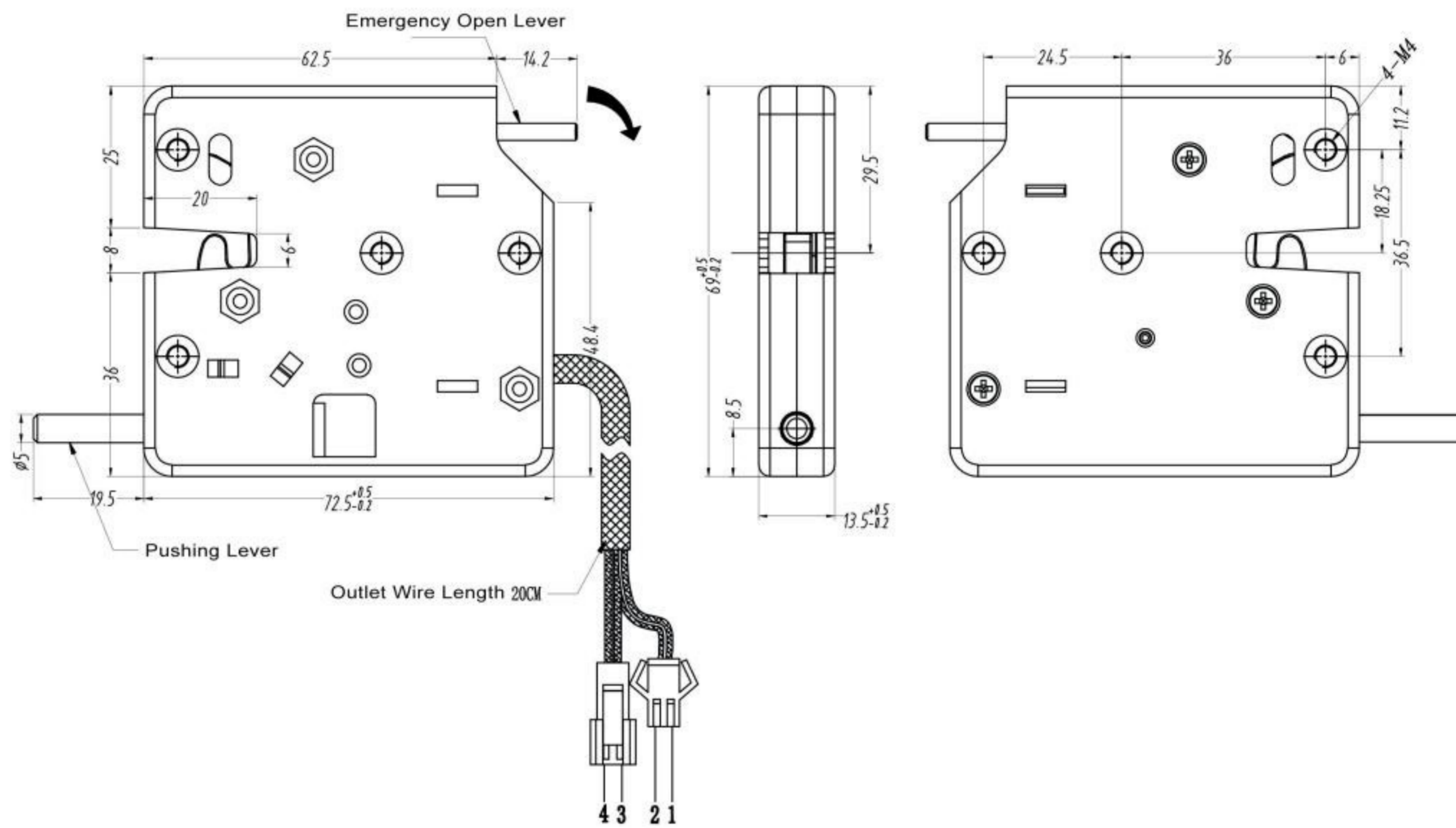




KR-S99N

- AWG24 wires with PVC protecting tube.
- Solenoid driven, support 12V&24V.
- Anti-force performance as 240kg.
- Omron detective switch from Japan, working life as 500,000 times.
- Mechanical emergency lever, can be unlocked manually in case of power failure.
- Support customizing wires and connectors.
- 430 stainless steel lock shell, Zinc Alloy lock tongue, can pass more than 48 hours salt spray test.



Movable Lock Hook

| | |
|--------------------------|---------------------|
| Material of lock body | 430 Stainless steel |
| Material of lock tonque | Zinc alloy |
| Maximum tensile strength | 240kg |
| Door weight | 0.5KG~10KG |
| Working voltage | 12V & 24V |
| Working current | 2.4A / 1.2A |
| Maximum power | 28.8W |
| Working temperature | -20°C ~+60°C |
| Working humidity | 5%~85%RH |

