

# KR-S123A-BT



● Black ○ White ● Grey



BLE



Card



Low voltage alarm



Emergency power



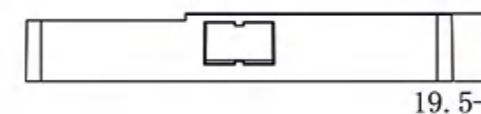
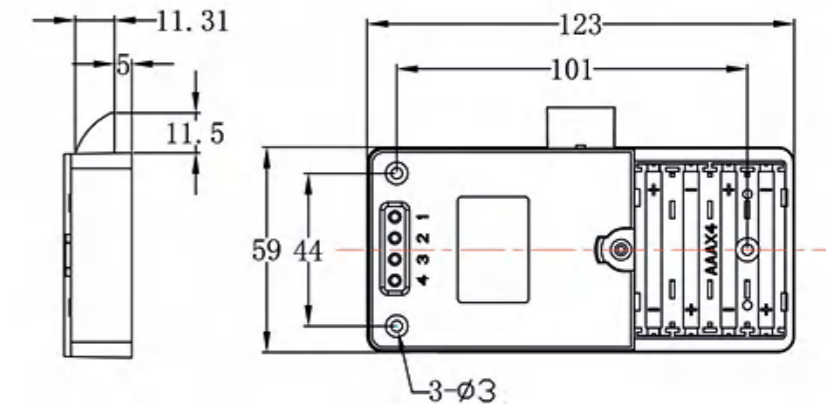
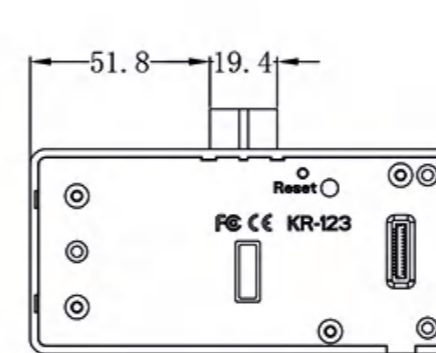
Remote upgrade



Public mode



Private mode



Material	ABS for lock body shell, Acrylic & PC for panel
Power consumption	Static power consumption <70uA Dynamic power consumption<300mA
Working voltage	DC6V(4*AAA 1.5V) Batteries can standby for around 1 year
Working environment	Working temperature -15°C ~ +65°C Working humidity 10% ~ 90%RH
Anti-static	Air static 15KV Touch static 8KV