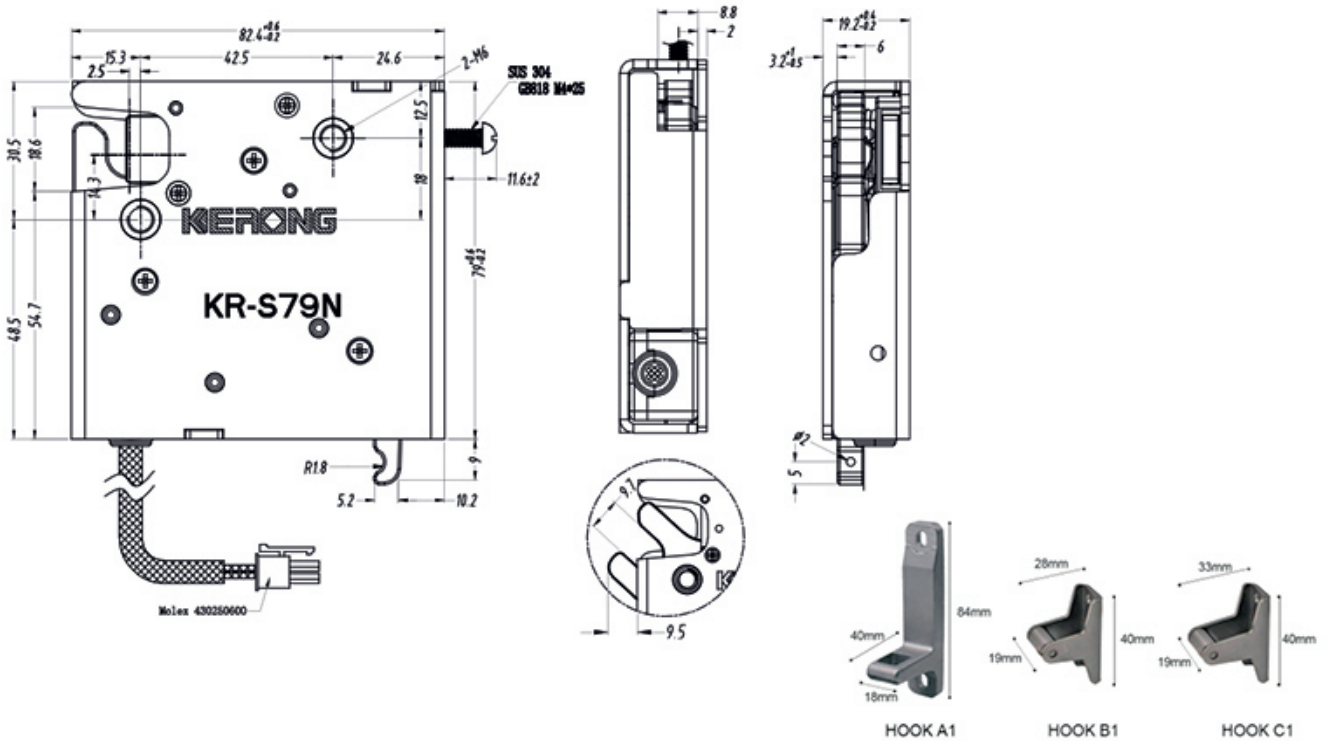


# KR-S79N

- Motor/servo driven, wide working voltage range: 8~24V. Low power consumption.
- Waterproofing-IP66.
- It is recommended that the user's power supply unlocking time is greater than 500ms (uninterrupted).
- Omron micro detective switch from Japan, high quality and durability. Mechanical emergency lever, can be unlocked manually in case of power failure.
- AWG24 wires with PVC protecting tube.
- Support customizing wires and connectors.



Material of lock body	304 stainless steel
Material of lock tongue	Zinc alloy
Door weight	4-50 KG
voltage	8V-24V
Power consumption	0.96W
Tensile strength	400kgf
Temperature	-20°C ~+65°C
Protection class	IP66