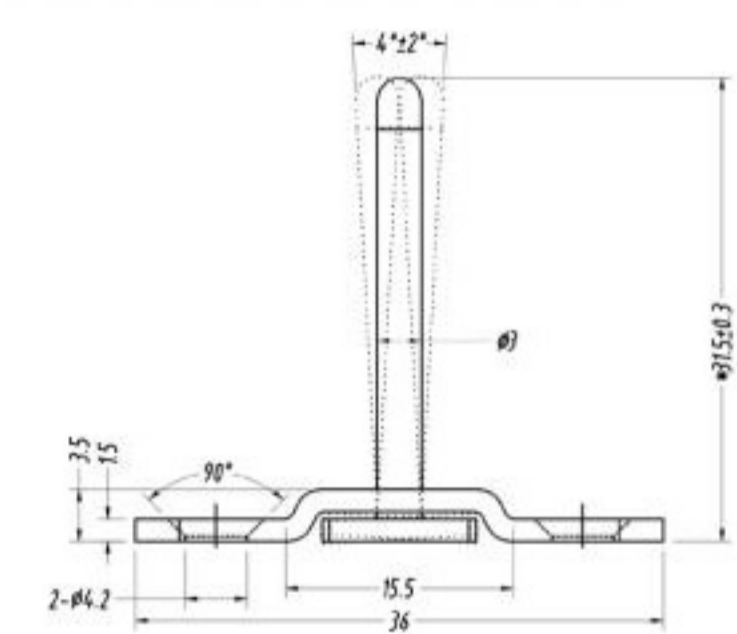
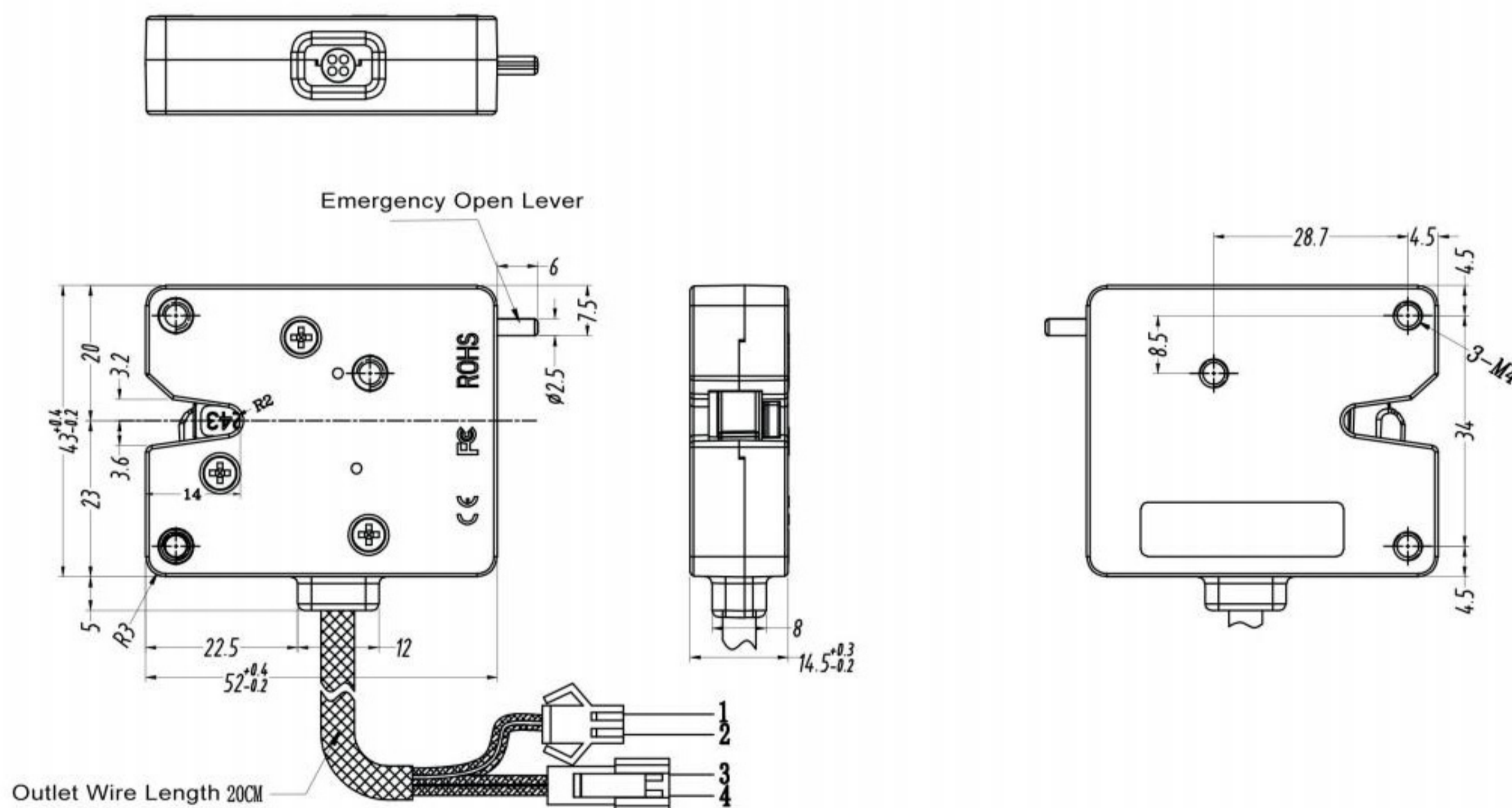
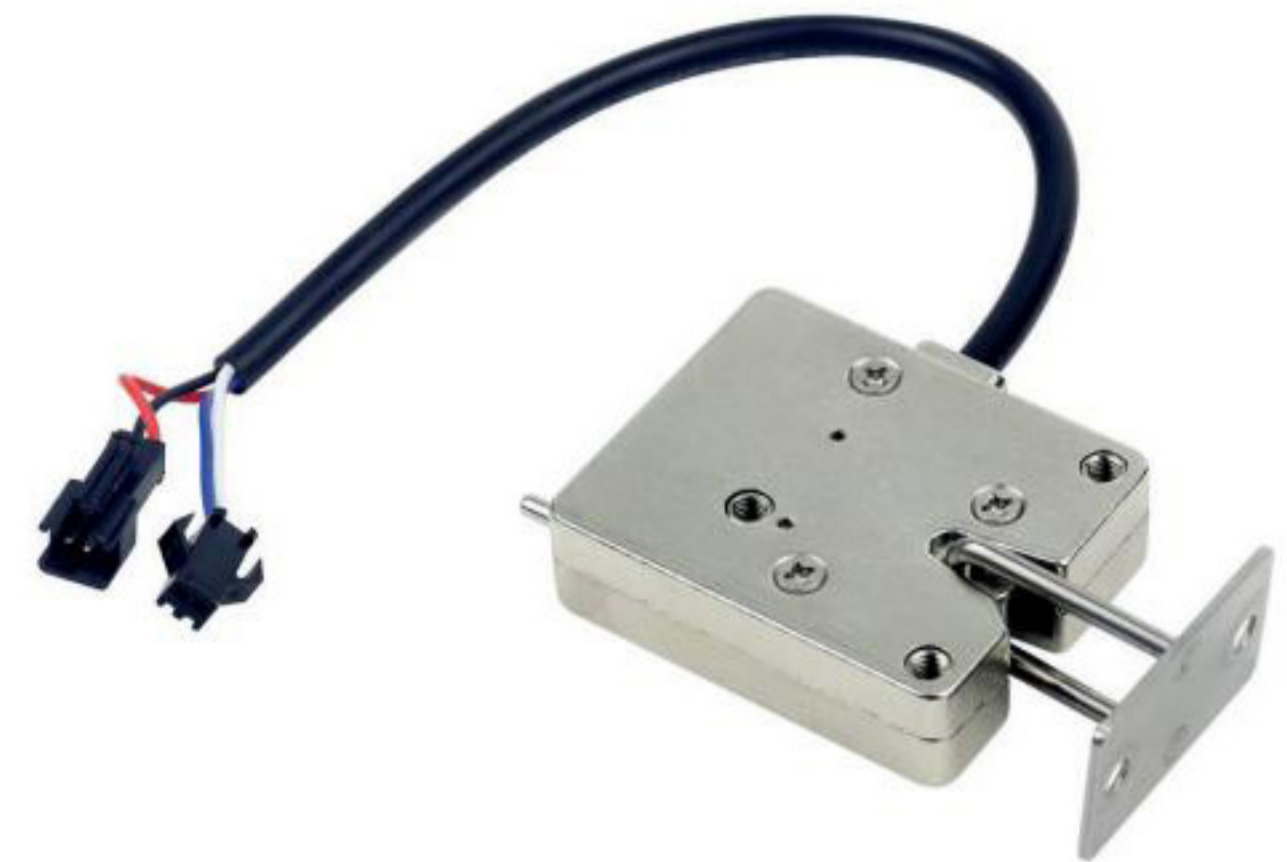




KR-S5243

- Solenoid drive, support 12V & 24V.
- AWG24 wire with PVC protective tube.
- Support custom wires and connectors.
- The compact structure design allows more application space for the locker.
- Japan Omron micro probe switch, high quality, durable. The service life is 500,000 times.
- Safety: The lock shell is made of zinc alloy and will not have obvious permanent deformation.
- Different lock hooks are suitable for different locker designs, and customized services can be provided.



Material of lock body	Zinc alloy
Material of lock tonque	Zinc alloy
Maximum tensile strength	200kg
Door weight	0.5KG~10KG
Working voltage	12V & 24V
Working current	2.4A / 1.2A
Maximum power	28.8W
Working temperature	-20°C ~+60°C
Working humidity	5%~85%RH

