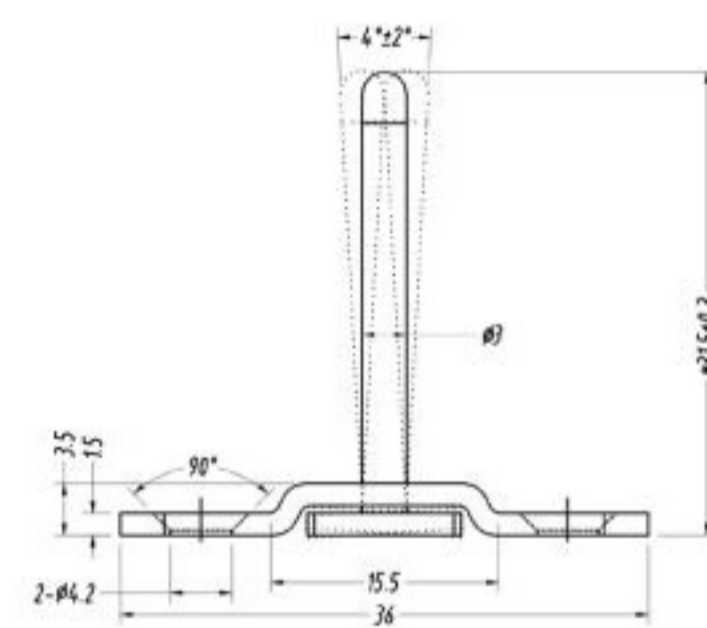
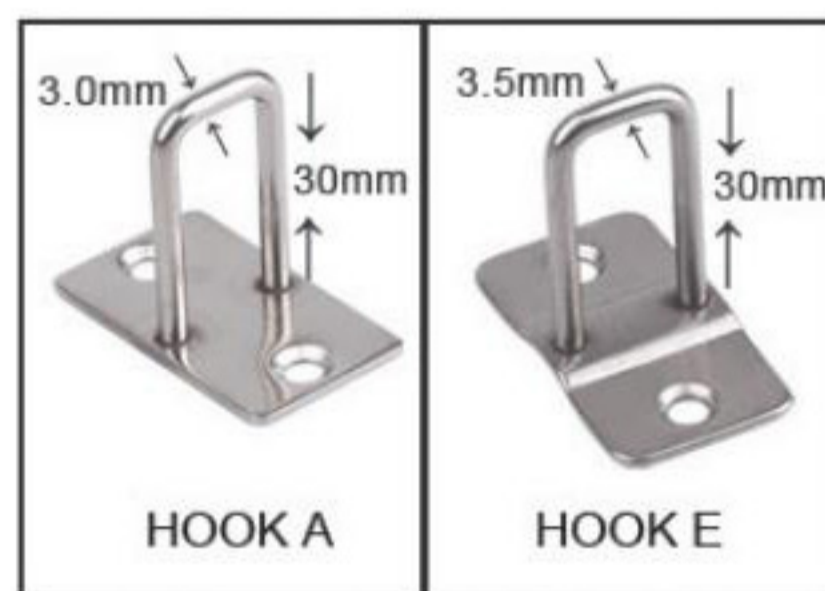
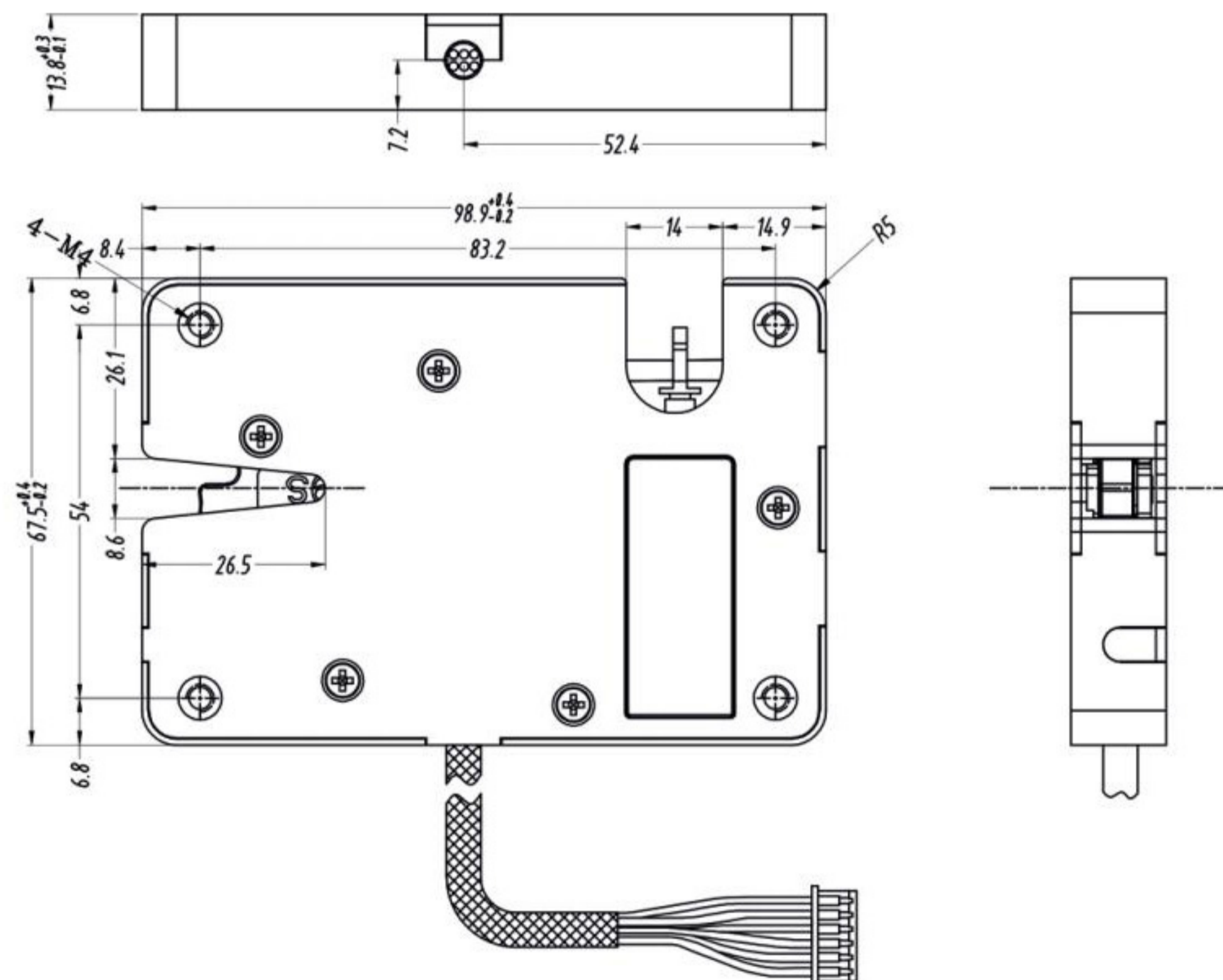


KR-S99S

- Solenoid driven, support 12V & 24V.
- AWG24 wires with PVC protecting tube .
- Support customizing wires and connectors.
- Function: Push door detection to open the lock
- Different lock hooks suit for different locker design,customizing service is available.
- Omron micro detective switch from Japan, high quality and durability,500,000-time working life.



Movable Lock Hook

Material of lock body	430 Stainless steel+PA+GF
Material of lock tonque	Zinc alloy
Maximum tensile strength	350kg
Door weight	0.5KG~10KG
Working voltage	12V & 24V
Working current	2.4A / 1.2A
Maximum power	28.8W
Working temperature	-20°C ~+60°C
Working humidity	5%~85%RH

