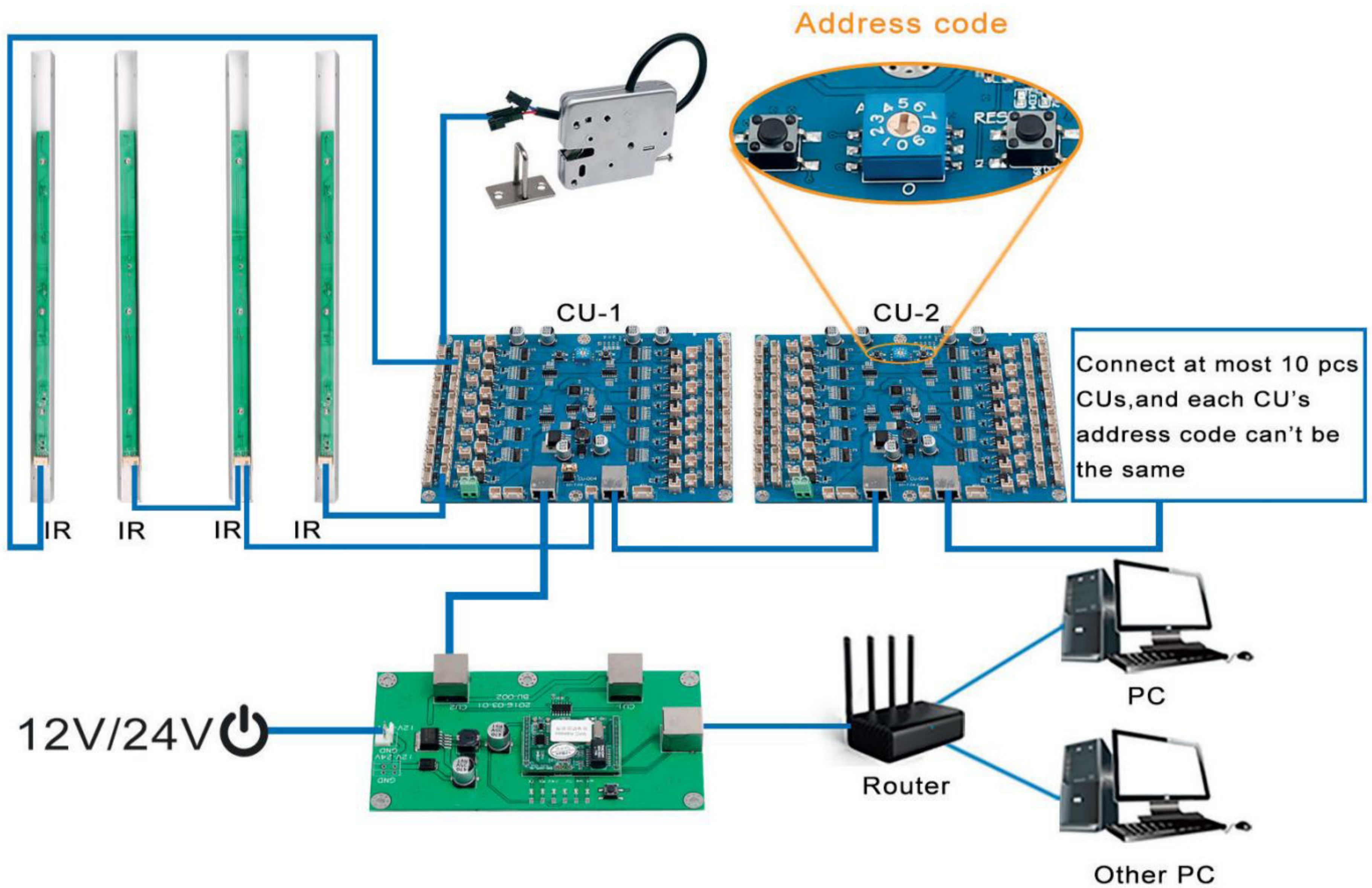




# KR-BU

- Transfer network communication with TCP/IP commands (from PC)  
Convert to RS485 format (to CU).
- Open development, completely free to design software.
- Can work with computer, pad, Raspberry Pi.
- Works well on IOS, Windows and Linux.
- Working temperature: -25°C ~65°C .
- With protective case, dustproof.
- High quality modules, stable work.



Function	Connect with Internet, transfer command to lock control board
Micro processor module	100T
Connector model	RJ45,8P8C
Working voltage	12V~24V
Stand-by power consumption	80mA(12V),40mA(24V)
Dynamic power consumption	100mA(12V),50mA(24V)