

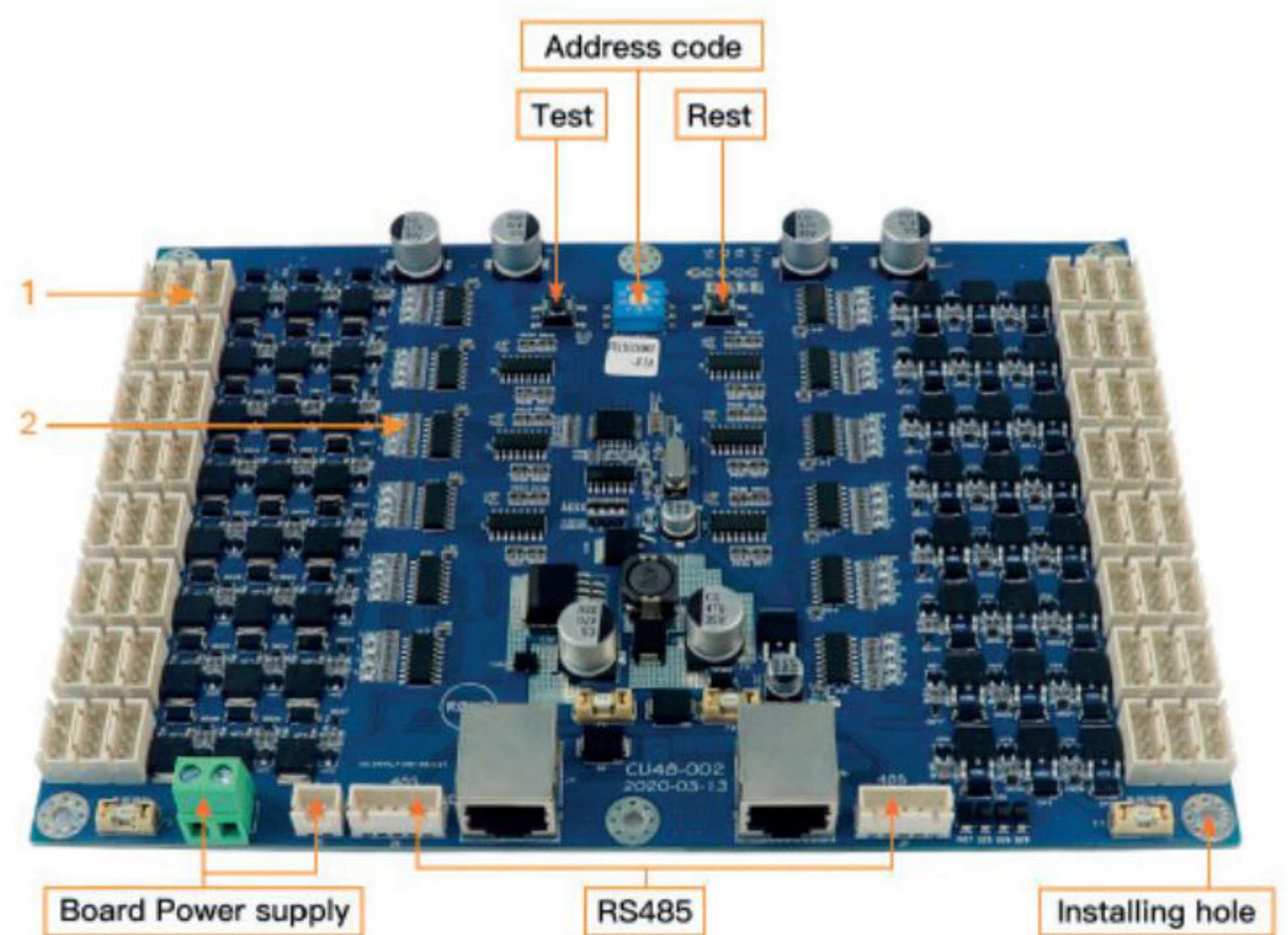
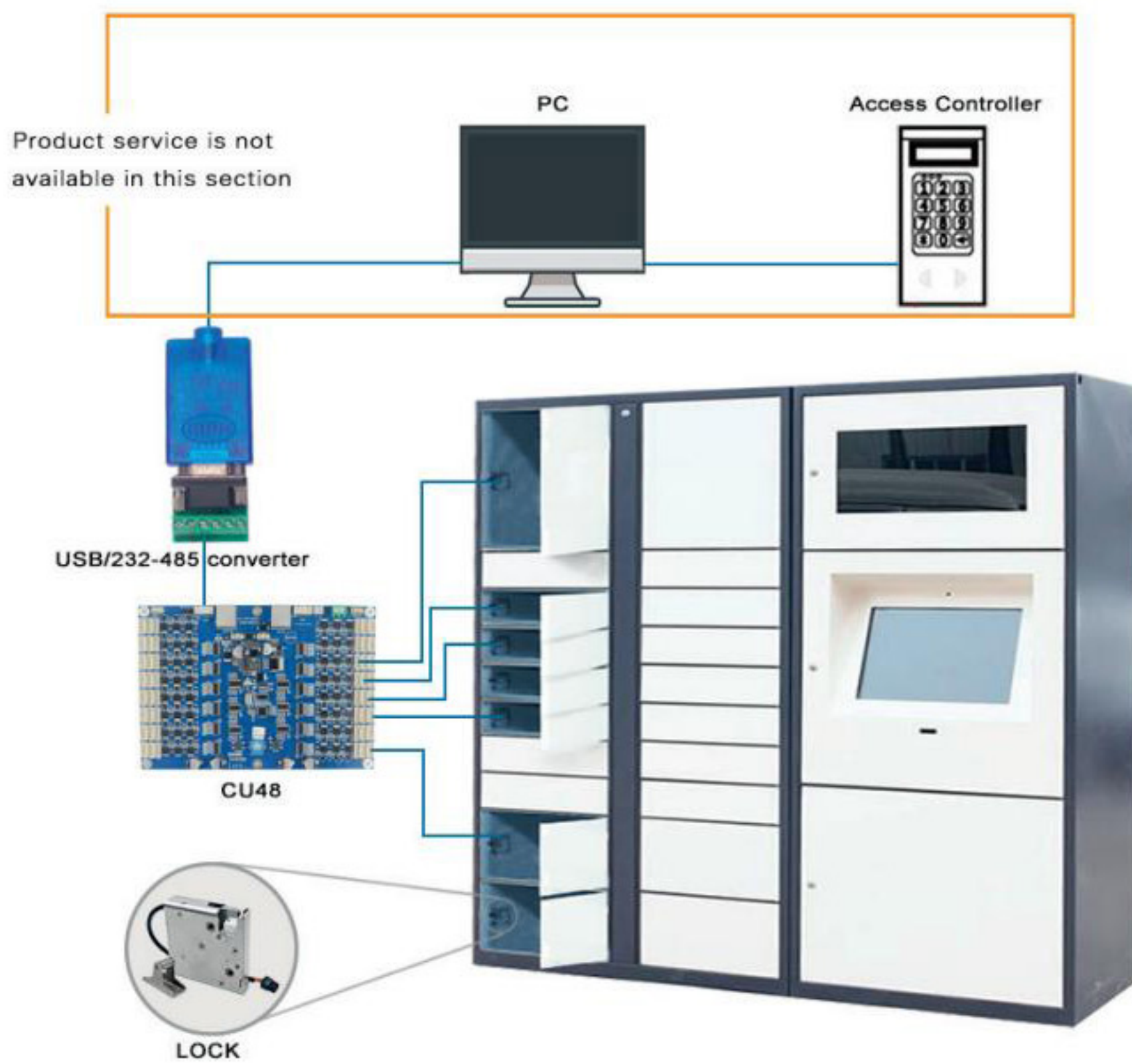


KR-CU48

- Used to control the lock, supply power to locks and detect lock's condition (open/close); 48 locks can be connected.
- Open developed, you can design software completely as you want.
- Support communication method: RS485.
- Can co-work with computer, pad, Raspberry Pi.
- Works well on IOS, Windows and Linux.
- Working temperature: -25°C ~65°C .
- With protect box, anti-dust.
- High quality modules, working stably.



1. connecting locks, supply power to locks and detect lock's condition (open/close);
2. LED for hook detective. Detective switch is on, red LED off; detective switch is off, red LED on.



Function	Control locks and feedback lock status
Micro processor module	STM8L103C6T6/R7F0C908B
Connector model	RJ45, 8P8C
Working voltage	12V~24V
Stand-by power consumption	70mA(12V),40mA(24V)
Dynamic power consumption	Max 3000MA
Reaction time	Less than 1s
Working humidity	10%~90%RH
Communication way	RS485